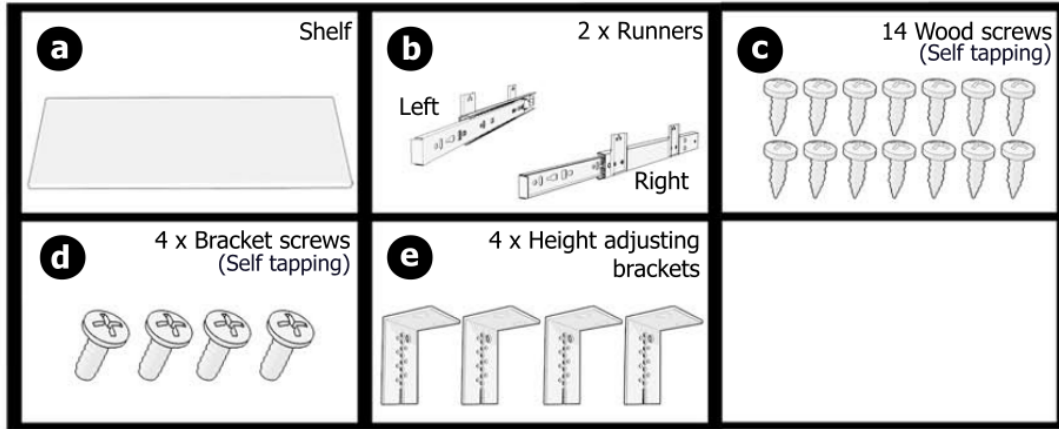


Please read these instructions in full before starting assembly

Keyboard shelf

In the pack:



Tools required:

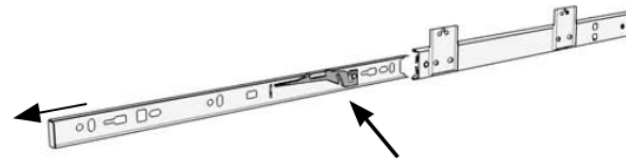


Notes

The keyboard shelf can be used with a regular shelf at 40cm deep or deeper, extended shelf, desk or tabletop.

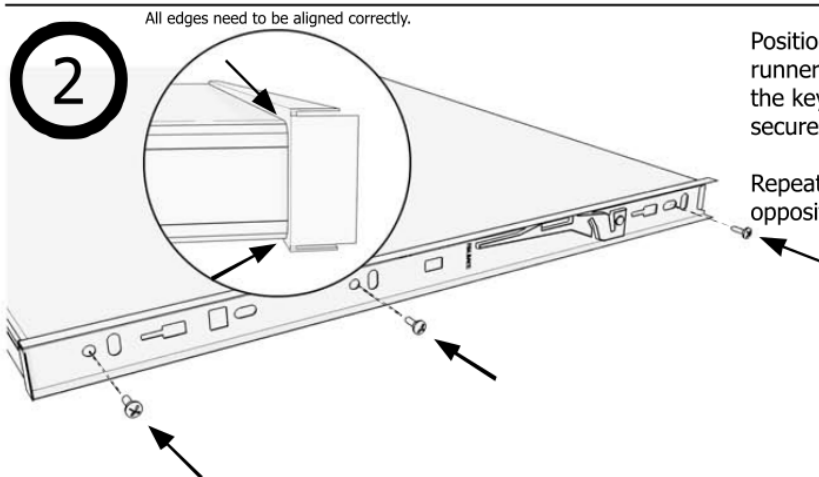
The gap between the keyboard shelf and the underside of the workspace is adjustable by every 5mm.

1



Open one of the runners **b** fully apart by pressing up or down on the grey lever.

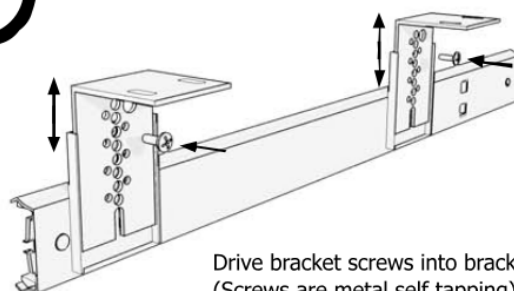
2



Position the inner half of the runner **b** against the inside of the keyboard shelf **a** and secure using 3 wood screws **c**.

Repeat steps 1 & 2 for the opposite side.

3



Fix 2 adjusting brackets **e** as shown using bracket screws **d** and adjust as required.

Repeat for the opposite side.

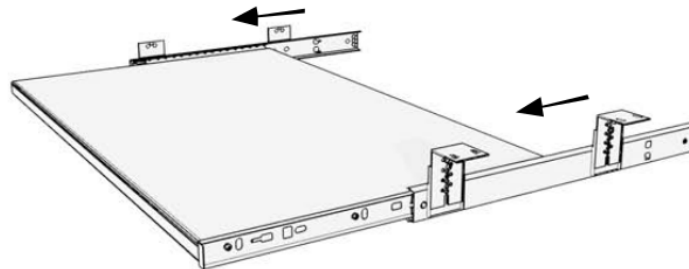
Drive bracket screws into bracket using a drill and appropriate bit (PZ2).
(Screws are metal self tapping)

Please read these instructions in full before starting assembly

Keyboard shelf

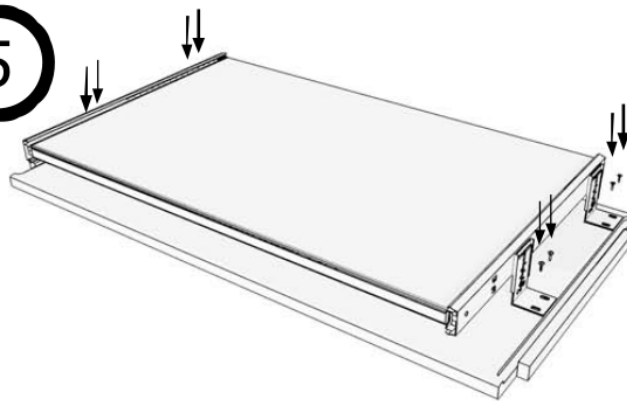
Notes

4



Slide both sections of the runners **b** back together again as shown.

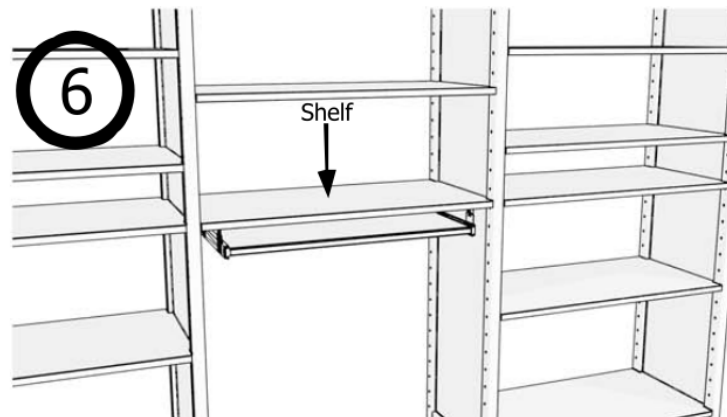
5



Screw down the brackets **e** to the underside of a shelf, using wood screws **c** ensuring the edges are lined up correctly.

The assembly can now be placed onto shelf supports into your shelving bay.

6



You can fit this keyboard shelf under a standard shelf, a desk, or a table top.

